

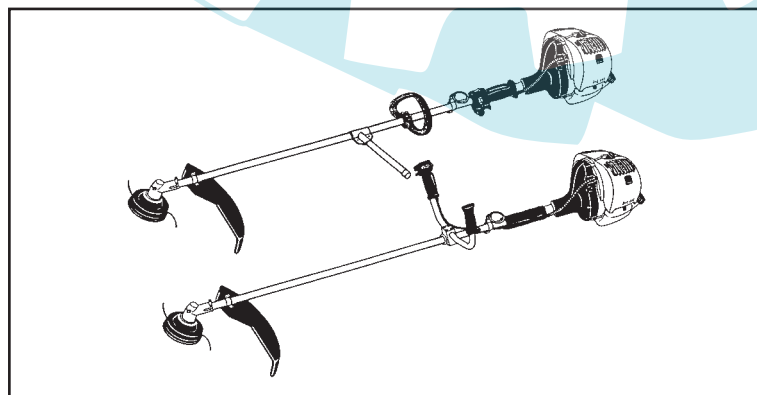
McCULLOCH®

PARTNER Poulan®

ILLUSTRATED PARTS LIST

PN 953900356 HBM 25

SERIAL NUMBER PREFIX 02



April 2002

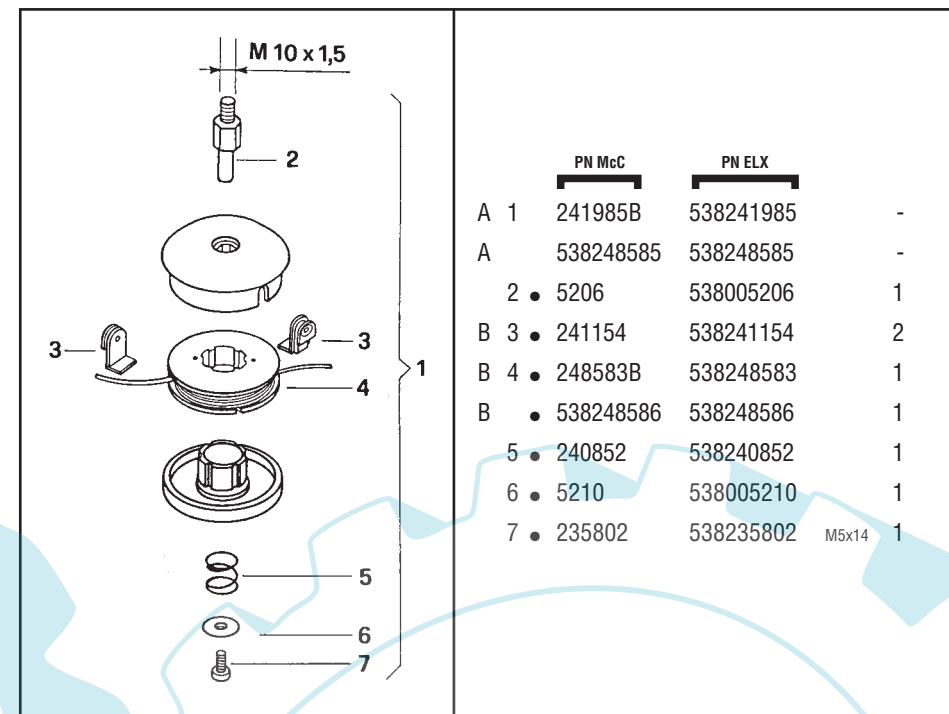


FIGURE 3

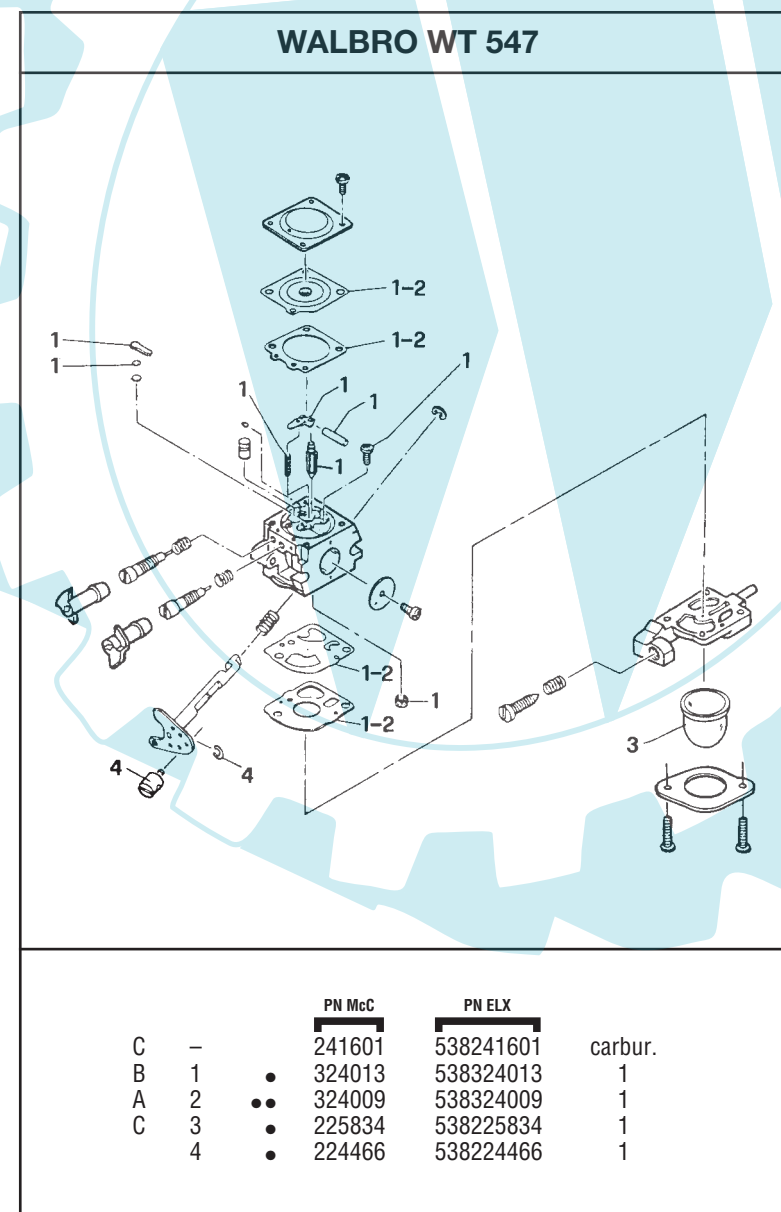
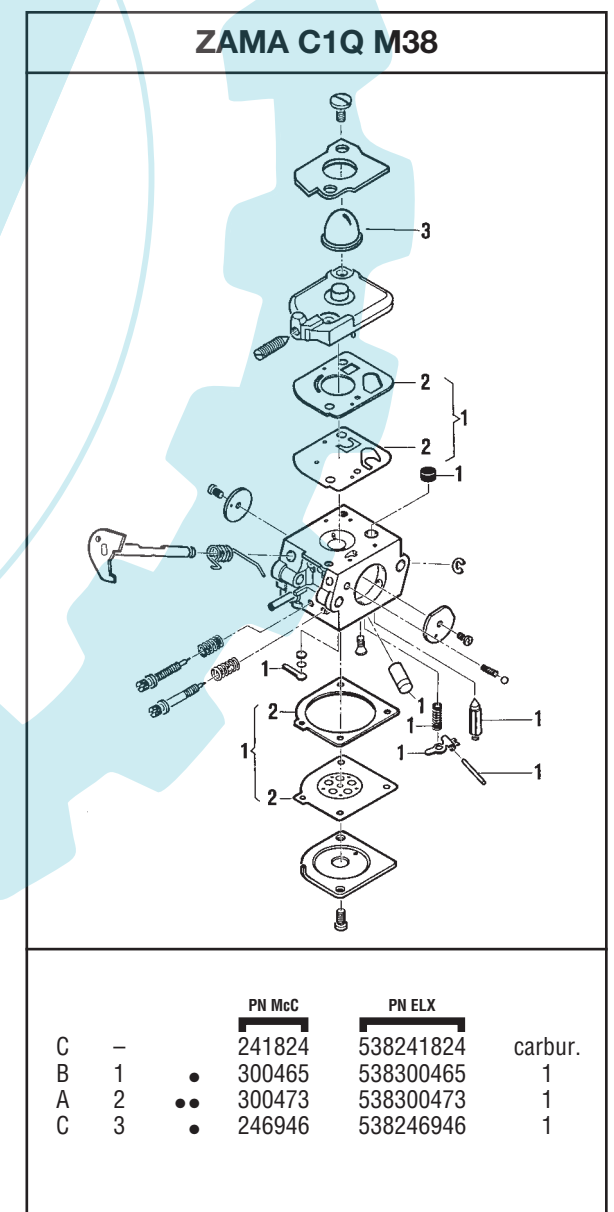


FIGURE 4

A = high moving - alta rotazione - haute demande - große Nachfrage
 B = medium moving - media rotazione - moyenne demande - mittelmäßige Nachfrage
 C = slow moving - bassa rotazione - basse demande - wenige Nachfrage



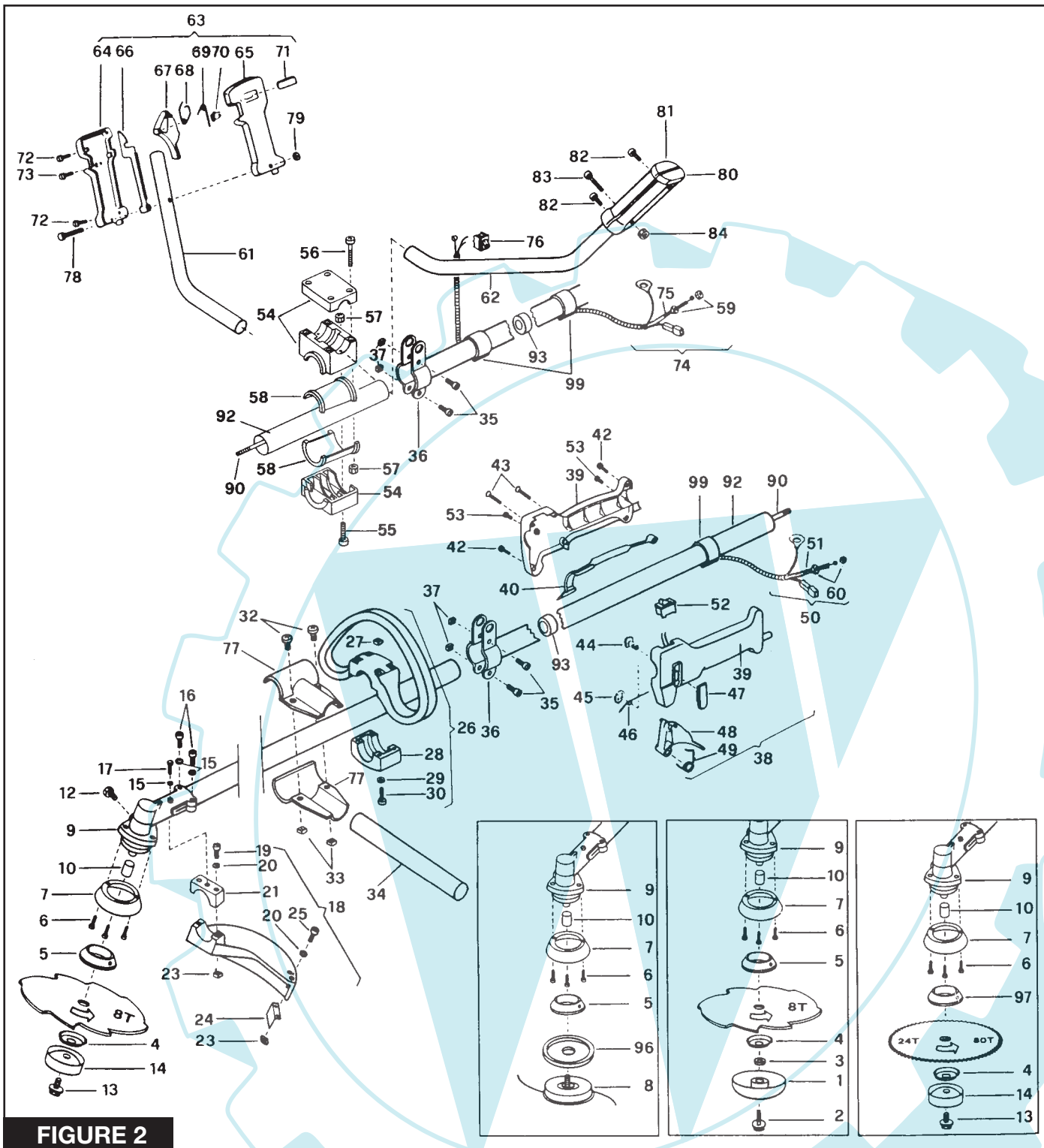


FIGURE 2

	PN McC	PN ELX		PN McC	PN ELX		PN McC	PN ELX		PN McC	PN ELX		PN McC	PN ELX			
A 1	240809	538240809	1	20	● 235248	538235248	4	40	● 229819	538229819	1	59	235912	538235912	2		
A 2	● 240806	538240806	1	21	● 240931	538240931	1	42	● 240618	538240618	2	60	235912	538235912	2		
3	240807	538240807	1	23	● 236732	538236732	4	43	● 240833	538240833	4	61	229831	538229831	1		
A 4	229834	538229834	1	24	● 241973	538241973	1	44	● 229823	538229823	1	62	229832	538229832	1		
A 5	229833	538229833	1	25	● 235802	538235802	M5x14	2	45	● 227065	538227065	1	63	227089	538227089	1	
6	240688	538240688	M5x14	3	26	227068	538227068	1	46	● 229973	538229973	1	64	● 241293	538241293	1	
B 7	240767	538240767	1	27	● 236642	538236642	4	47	● 229824	538229824	1	65	● 241294	538241294	1		
A 8	FIGURE 3			28	● 227046	538227046	1	48	● 241296	538241296	1	66	● 229820	538229820	1		
9	241426	538241426	1	29	● 236936	538236936	4	49	● 240091	538240091	1	67	● 241295	538241295	1		
10	● 247272	538247272	1	30	● 228320	538228320	M6x45	4	50	● 227067	538227067	1	68	● 240091	538240091	1	
12	● 240151	538240151	M6x10	1	32	235911	538235911	M6x12	2	51	● 227073	538227073	1	69	● 229973	538229973	1
A13	229842	538229842	M10x16	1	33	236642	538236642	2	52	● 236394	538236394	1	70	● 229823	538229823	1	
A14	236596	538236596	1	34	246864	538246864	1	53	236981	538236981	2	71	● 229824	538229824	1		
15	236529	538236529	3	35	235911	538235911	M6x12	2	54	241685	538241685	1	72	● 240618	538240618	2	
16	235804	538235804	M5x30	2	36	228152	538228152	2	55	● 235921	538235921	M6x30	2	73	● 240833	538240833	3
17	236381	538236381	M5x10	1	37	236642	538236642	2	56	● 236558	538236558	M6x40	4	C74	● 227082	538227082	1
B18	242043	538242043	1	38	227280	538227280	1	57	● 235912	538235912	6	C75	● 227054	538227054	1		
19	● 235806	538235806	M5x20	2	39	● 246955	538246955	1	58	● 241684	538241684	2	C76	● 236394	538236394	1	

A = high moving - alta rotazione - haute demande - große Nachfrage

B = medium moving - media rotazione - moyenne demande - mittelmäßige Nachfrage

C = slow moving - bassa rotazione - basse demande - wenige Nachfrage

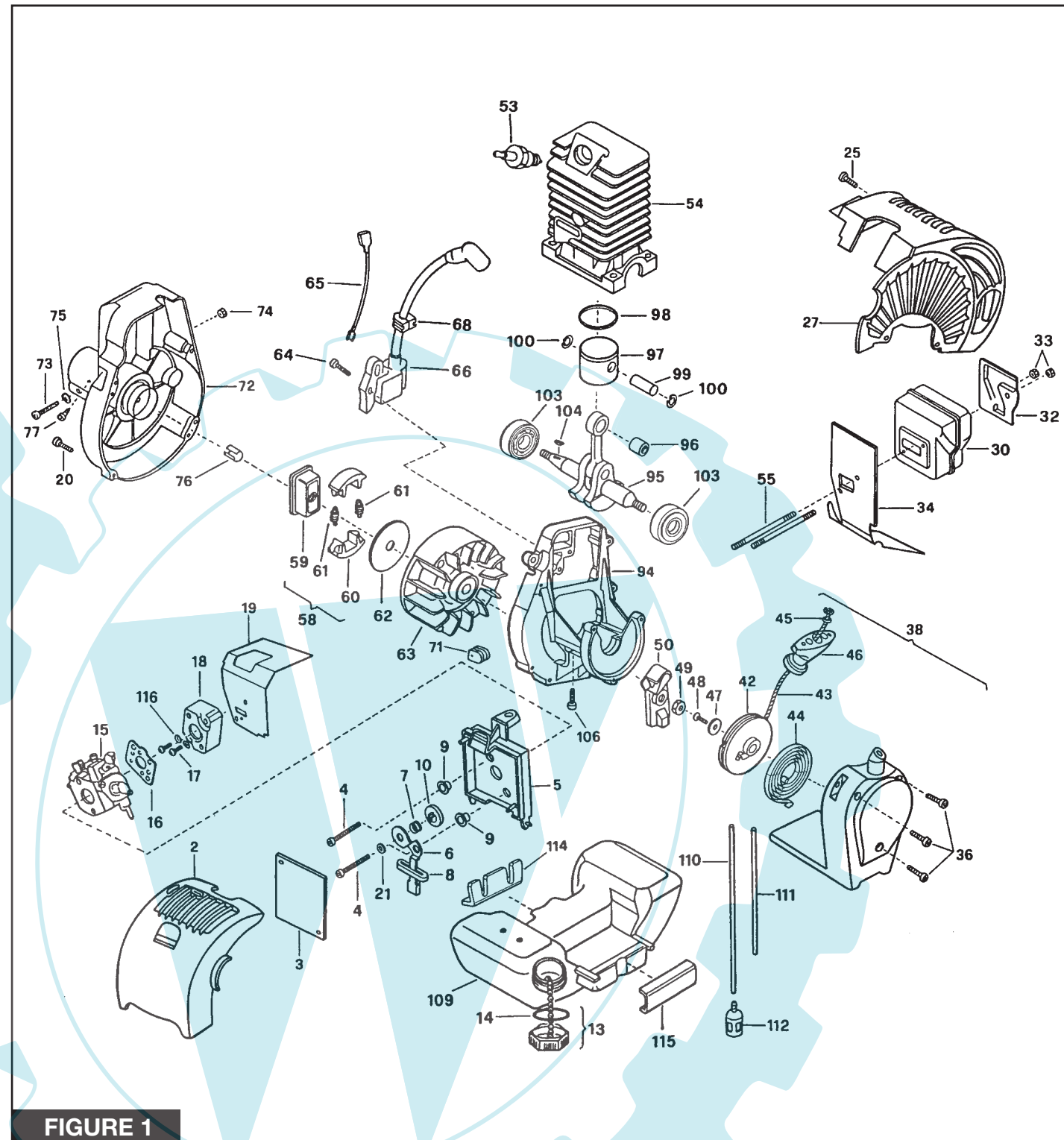


FIGURE 1

	PN McC	PN ELX		PN McC	PN ELX		PN McC	PN ELX		PN McC	PN ELX		PN McC	PN ELX	
2				C18	241750	538241750	1	B44	● 241619	538241619	1	65	241606	538241606	
				B19	242034	538242034	1	45	● 235612	538235612	1	C66	241749	538241749	
				20	227568	538227568	M4x20	4	46	● 241778	538241778	1	68	236322	538236322
				21	235248	538235248	1	47	● 241703	538241703	1	71	241607	538241607	
B 3	242035	538242035	1	25	241963	538241963	M4x22	2	48	● 240862	538240862	1	C72	241725	538241725
4	235808	538235808	M5x50	2	27			49	241624	538241624	1	73	235803	538235803	
5	248485	538248485	1					50	241784	538241784	1	74	● 229524	538229524	
6	● 241769	538241769	1					A53	92879	538092879	1	75	● 235248	538235248	
7	● 235822	538235822	1					C54	241800	538241800	1	76	● 228260	538228260	
8	● 241622	538241622	1	242141	538242141	green/verte	1	55	242037	538242037	2	77	236981	538236981	
9	● 227022	538227022	1	C30	242131	538242131	1	B58	241793	538241793	1	94	242029	538242029	
10	● 241602	538241602	1	32	322017	538322017	1	59	● 241789	538241789	1	95	242003	538242003	
B13	236563	538236563	1	33	235642	538235642	2	60	● 241743	538241743	2	C96	● 235742	538235742	
A14	● 236564	538236564	1	B34	242036	538242036	1	36	241963	538241963	M4x22	3	C97	248177	538248177
C 15	FIGURE 4			C38	242041	538242041	1	A61	● 241794	538241794	2	B98	● 240002	538240002	
A16	241600	538241600	1	B42	● 241620	538241620	1	62	241604	538241604	1	99	● 241735	538241735	
17	242174	538242174	M5x20	2	A43	● 241746	538241746	1	63	241796	538241796	1	100	● 235008	538235008

A = high moving - alta rotazione - haute demande - große Nachfrage

B = medium moving - media rotazione - moyenne demande - mittelmäßige Nachfrage

C = slow moving - bassa rotazione - basse demande - wenige Nachfrage